

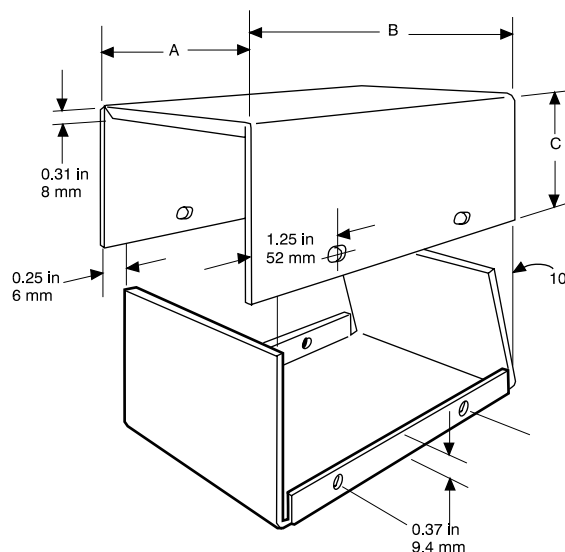
Instrument Case (1454 Series)



KEY FEATURES

| Part Number | Units | Dimensions | | |
|-------------|------------|--------------|--------------|-------------|
| | | A | B | C |
| 1454C | inch mm | 4 102 | 2.5 64 | 2 51 |
| 1454J | inch mm | 4 102 | 3 76 | 4 102 |
| 1454M | inch mm | 4 102 | 3 76 | 6 152 |
| 1454E | inch mm | 4 102 | 5 127 | 2 51 |
| 1454F | inch mm | 4 102 | 6 152 | 3 76 |
| 1454R | inch mm | 5 127 | 5 127 | 7.5 191 |
| 1454L | inch mm | 5 127 | 6 152 | 4 102 |
| 1454H | inch mm | 5 127 | 7.5 191 | 2.5 64 |
| 1454D | inch mm | 5.875 149 | 4 102 | 2.125 54 |
| 1454DD | inch mm | 5.875 149 | 5.187 132 | 2.75 70 |
| 1454G | inch mm | 6 152 | 2.5 64 | 2 51 |
| 1454K | inch mm | 8 203 | 3.5 89 | 2.5 64 |
| 1454N | inch mm | 8 203 | 6 203 | 3 76 |
| 1454P | inch mm | 10 254 | 5 127 | 3.5 89 |
| 1454S | inch mm | 10 254 | 6 203 | 3 76 |
| 1454W | inch mm | 12 305 | 8 203 | 3 76 |

- Made of strong, economical 20 gauge steel.
- Contempra grey panels with textured black covers (powder paint).
- Choice of sloping or vertical front panels by reversing case.
- 6-32 Philips nickel plated screws and self-adhesive rubber feet included.
- Replacement screws **1421J6** (Pkg. of 6, 6-32 Philips head screws).



Notes: - Models with "B" dimension less than 5" (127 mm) have only one hole per side, centered in "B".

Metal



CANADA
Guelph, Ontario (519) 822-2960
St. Laurent, Quebec (514) 343-9010
USA
Cheektowaga, NY (716) 651-0086

www.hammondmfg.com

EUROPE
Basingstoke, UK +44 1256 812812

AUSTRALASIA
Queenstown, SA, Australia +61 8 8240 2244